

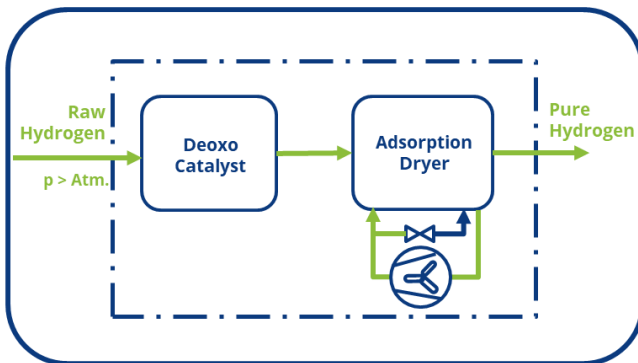
Regeneration Process without Losses

Emission reduction by closed-loop technology

ReiCat is a leading company for Gas Purification and Gas Recycling.

Decades of experience have enabled us to develop the ReiCat Closed-Loop technology to efficiently remove all impurities and moisture from industrial gases with no or only marginal losses and emissions. This technology can optionally be integrated in any ReiCat gas treatment unit.

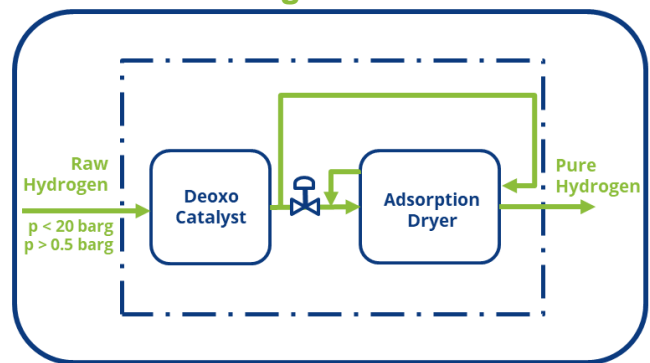
Internal blower



Advantages

- Start/stop operation
- No gas stream is needed for regeneration
- Marginal gas loss
- Highest energy efficiency

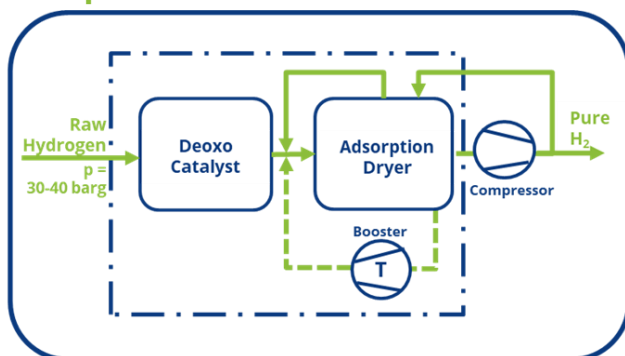
Regulator



Advantages

- Zero gas loss
- No emissions
- No rotating parts

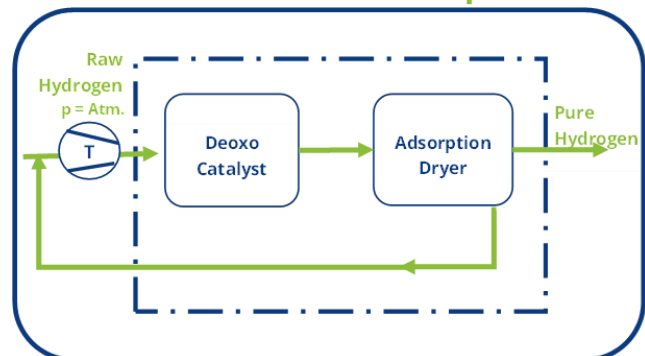
Compressor on-site –/ Altern. booster - -



Advantages

- Zero gas loss
- No emissions

Suction side on-site compressor



Advantages

- Zero gas loss
- No emissions
- No rotating parts

Information is subject to customer operating conditions.